

NORTH

C 1/4 COR. SEC. 27,
T. 42 N., R. 116 W.,
6TH P.M., TETON
COUNTY, WYOMING,
A BRASS CAP
MONUMENT



CERTIFICATE OF OWNERS

KNOW ALL MEN BY THESE PRESENTS: That the GRAND TETON LODGE COMPANY, the undersigned owners and proprietors, have caused a tract of land to be platted and to be known as "JACKSON HOLE GOLF AND TENNIS CLUB ESTATES - THIRD FILING" situated in Section 27, T. 42 N., R. 116 W., 6th P.M., Teton County, Wyoming and is more particularly bounded as follows: ...

ATTEST: Franklin E. Parker, Secretary

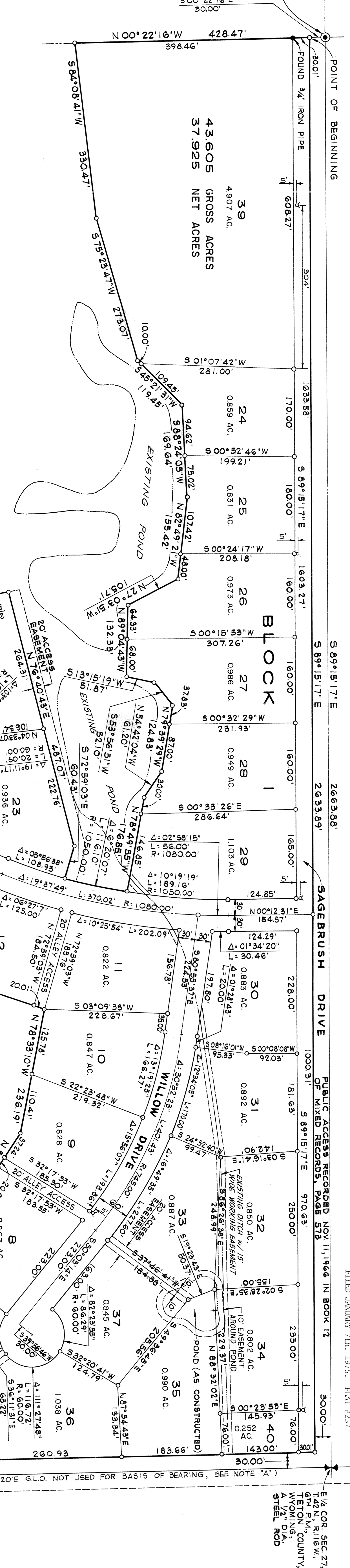
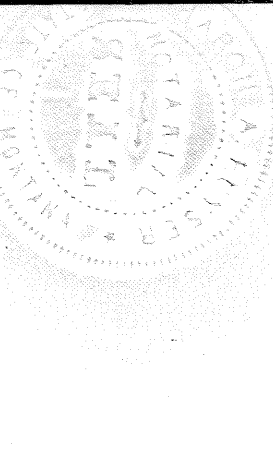
CORPORATE ACKNOWLEDGEMENT

STATE OF WYOMING ss By Richard E. Holtzman, President and Franklin E. Parker, Secretary of GRAND TETON LODGE COMPANY I have subscribed the land shown on this plat into lots and streets to be known as "JACKSON HOLE GOLF AND TENNIS CLUB ESTATES - THIRD FILING" and that the dimensions of the plat and lots contained are correctly shown to a scale of 1" = 100' and that all lots are well and accurately staked.

CERTIFICATION

I, James B. Spring, A Registered Land Surveyor as prescribed by the laws of the State of Wyoming, do hereby certify that by authority of the GRAND TETON LODGE COMPANY I have subdivided the land shown on this plat into lots and streets to be known as "JACKSON HOLE GOLF AND TENNIS CLUB ESTATES - THIRD FILING" and that the dimensions of the plat and lots contained are correctly shown to a scale of 1" = 100' and that all lots are well and accurately staked.

The foregoing instrument was acknowledged before me this 17 day of December, 1974. Witness my hand and official seal. My Commission Expires



NOTE "A" BASIS OF BEARING: G.L.O. Bearing N89°38'W on the South line of Section 27, T. 42 N., R. 116 W., 6th P.M., Teton County, Wyoming, as shown on the plat of the GRAND TETON LODGE COMPANY, JACKSON HOLE GOLF AND TENNIS CLUB ESTATES - THIRD FILING, Teton County, Wyoming, and has been continued on this plat in order to keep all filings on the same bearing base.

CERTIFICATE OF APPROVAL

Approved by the Board of County Commissioners of Teton County, Wyoming in accordance with Sec. 34-114 Wyoming Statutes 1957 as amended, and subject to the provisions of a resolution for the approval of subdivision and tentative plat as adopted on August 1, 1967 and subdivision resolution adopted Jan. 1, 1973.

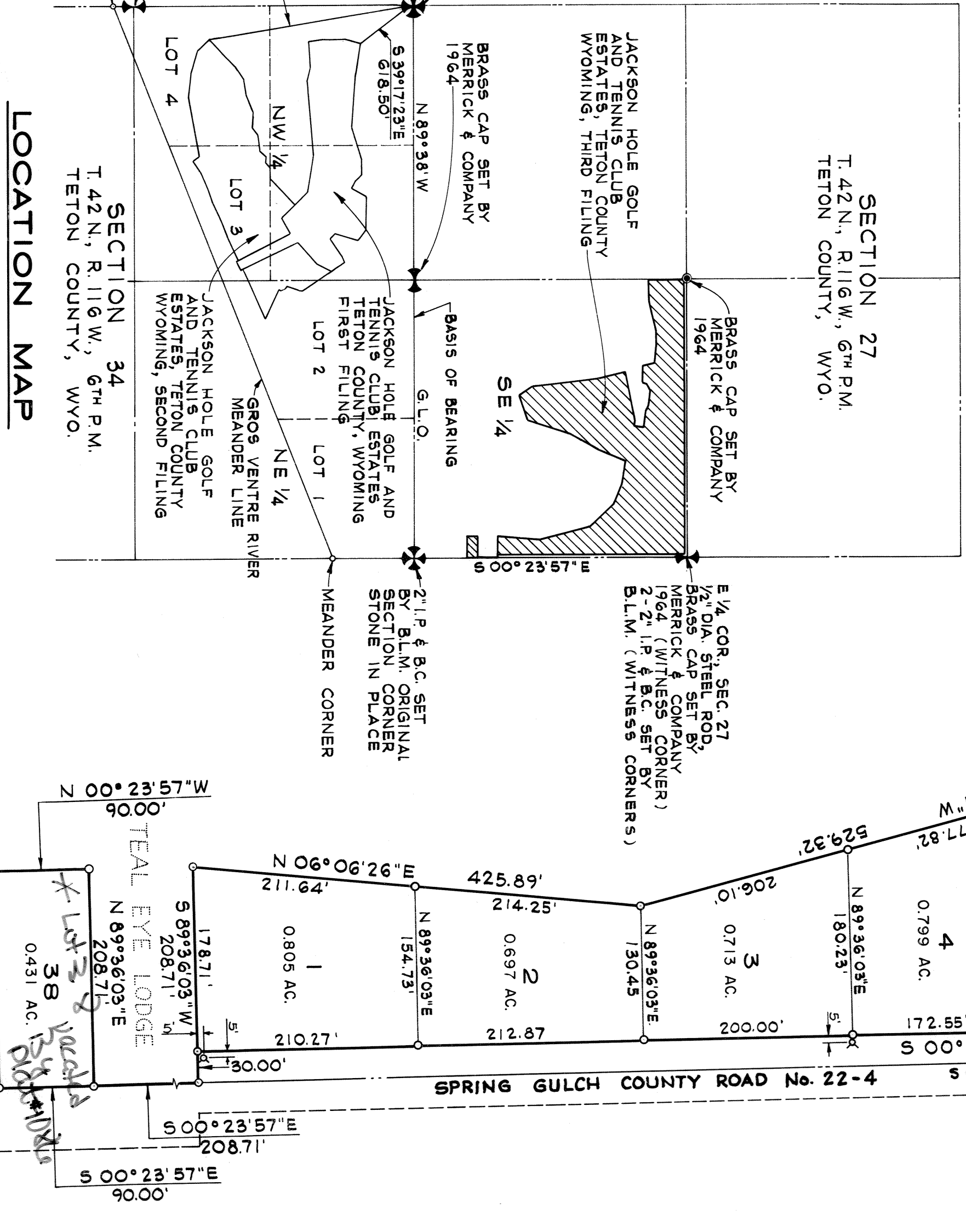
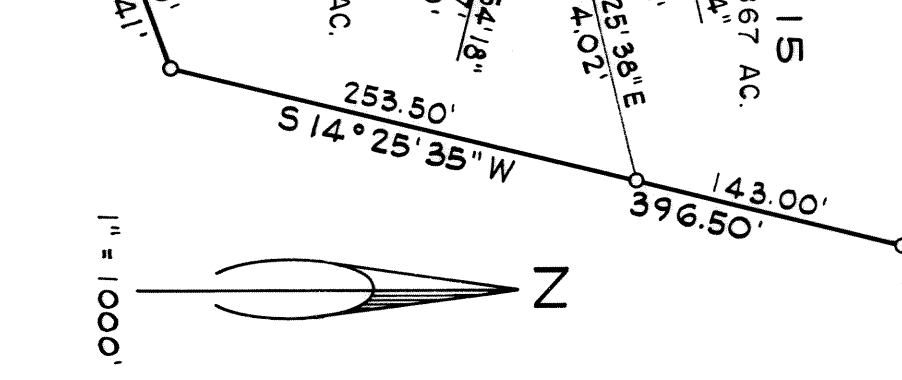
Attest: [Signature] County Clerk

STATE OF WYOMING ss # 142441 County of Teton Filed for record in my office this 7 day of December, 1974 at P.M. Plat No. 257 in Book Page

- LEGEND: 0 - PROPERTY LINE, - - - SET PLASTIC CAP, - - - - - SET BRASS CAP, - - - - - MONUMENT, - - - - - FIRE HYDRANT

JACKSON HOLE GOLF AND TENNIS CLUB ESTATES THIRD FILING

SITUATED IN SE1/4 SECTION 27, T. 42 N., R. 116 W., 6TH P.M., TETON COUNTY, WYOMING. PREPARED BY: CHRISTIAN, SPRING, SELBACH & ASSOCIATES BILLINGS, MONTANA DECEMBER 1974



E 1/4 COR. SEC. 27, T. 42 N., R. 116 W., 6TH P.M., TETON COUNTY, WYOMING, A 1/2" DIA. STEEL ROD

257 257